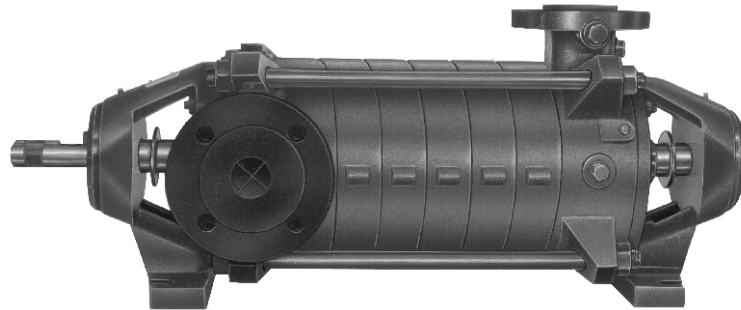


## High Pressure Multistage Pumps



### Applications

Movi pumps are used for general water supply sprinkling, irrigation and booster plants, for the circulation of warm water, hot and cooling water, delivery of condensate and boiler feed water, and as fire-fighting pumps.

### Design

Single or multistage centrifugal pump of the ring-section type, with shaft protection sleeve / shaft sleeve.

Pump feet cast of the bearing housings.

### Operating Data

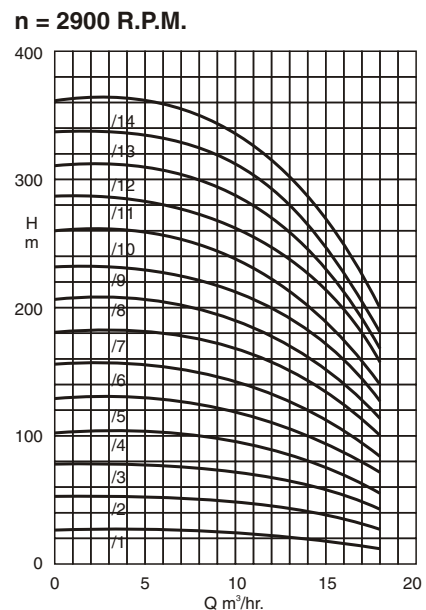
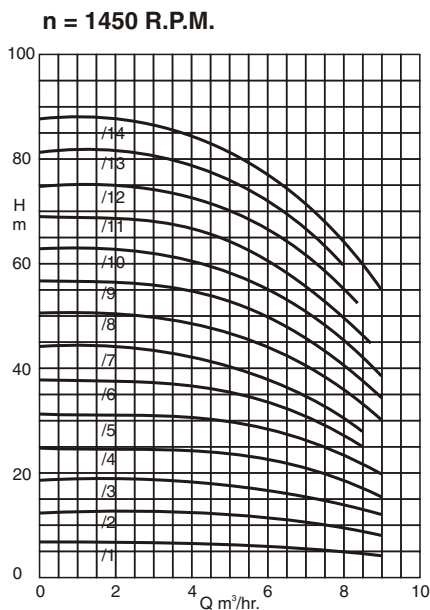
Pump Size - Movi 32

Capacities	Q up to	5 l/s (18 m <sup>3</sup> /h)
Heads	H up to	400 m
Temperature	t	-10°C to + 140°C
Pressure	Pd up to	40 bar

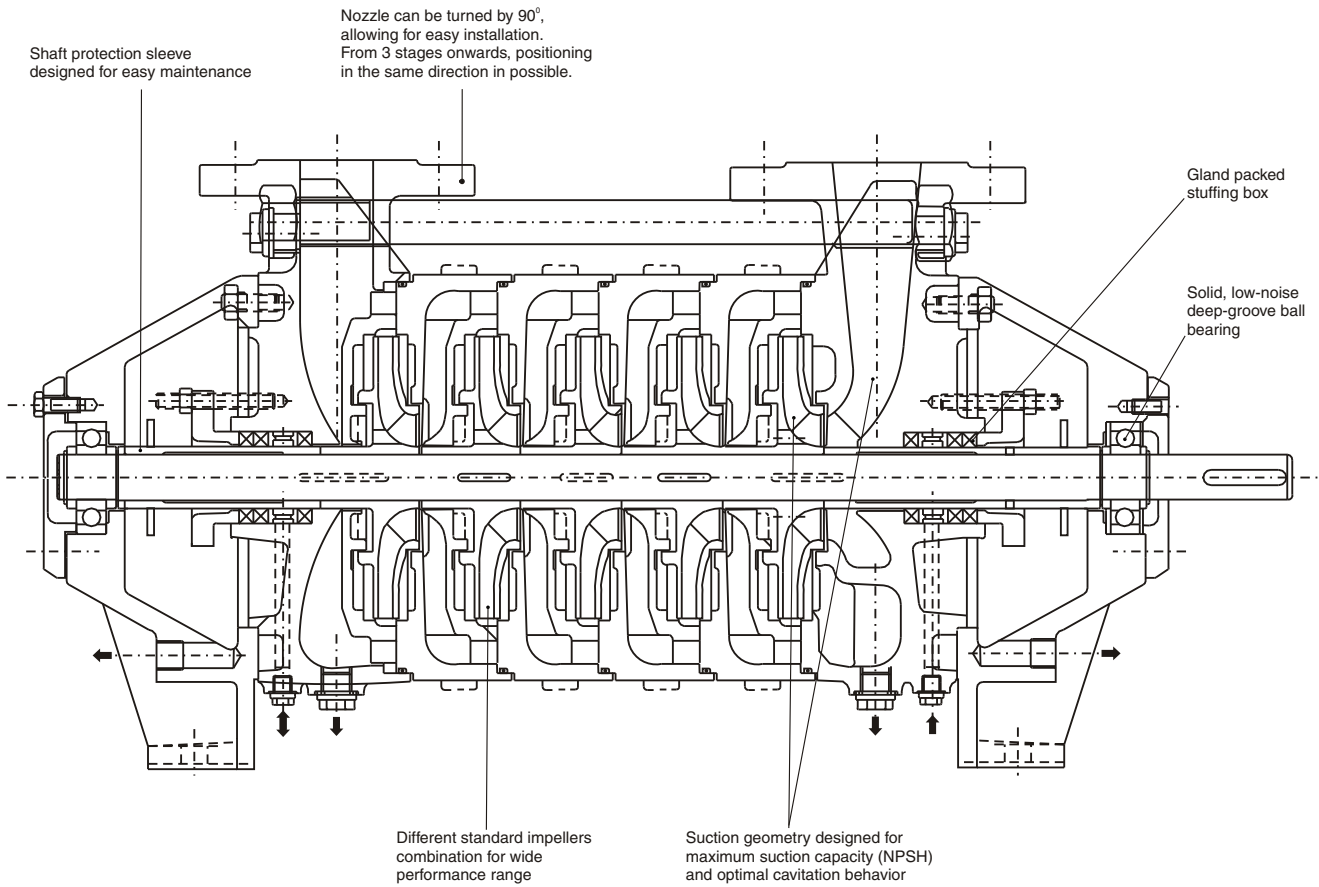
### Materials

Part Description	Material of Construction
Casings	CI Gr.FG 260
Impeller	CI Gr.FG 260/BS 1400 Gr.LG2
Shaft	C 45/AISI 410

### Selection chart



**1. Normal execution (temperature limit -10 °C to +110 °C)**



**2. Hot water execution (temperature limit 110 °C to 140 °C)**

