

Etanorm SYT, Etanorm RSY – Thermal Oil / Hot Water Pumps

Industry

Water

Waste Water

Energy

Building Services

Mining



Etanorm RSY



Etaline SYT



Etabloc SYT



Etanorm SYT

Applications:

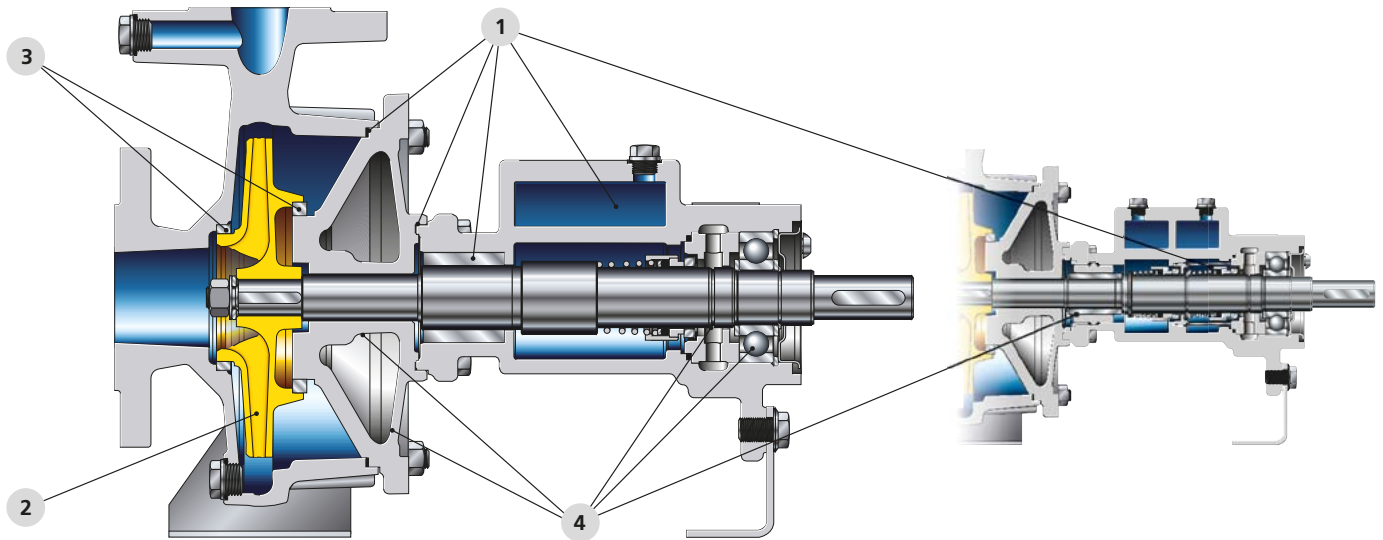
- Heat transfer systems (DIN 4754, VDI 3033)
- Hot water circulation (DIN 4752)

Further information: www.ksb.com/products

Your contact:



Etanorm SYT, Etanorm RSY – Thermal Oil / Hot Water Pumps



1 Maximum operating reliability

- Highly effective venting contour ensures optimum venting.
- Confined gaskets
- Design variant with double-acting mechanical seal in tandem arrangement
- Anti-seize carbon plain bearing lubricated by the fluid handled

2 High energy efficiency

- Optimised hydraulic system yields high efficiency.
- Impeller trimmed to match the specified duty point
- Suitable for variable-speed operation and equipped with IE2 motor as standard

3 Easy to service

- Replaceable wear rings and straightforward dismantling of bearing bracket

4 Robust design

- Sturdy discharge cover designed for high stiffness
- Optimised heat barrier, little wear
- Design variant with SiC/SiC bearing for high resistance
- Reinforced deep-groove ball bearing with special grease fill for long service life
- Optimised shaft contour ensures reliable removal of leakage.

Materials		Technical data*		Etaline / Etabloc SYT		Etanorm SYT/RSY		
		Thermal oil	Hot water	Thermal oil	Hot water			
Volute casing	Nodular cast iron EN-GJS-400-18LT							
Discharge cover	Nodular cast iron EN-GJS-400-15							
Shaft	Chrome steel 1.4021+QTHRCS55							
Impeller	Grey cast iron EN-GJL-250							
Wear rings	Grey cast iron GG							
Bearing bracket	Nodular cast iron EN-GJS-400-15							
		Max. flow rate	280/325	280/325	1,900/2,280	1,900/2,280		m ³ /h
		Max. head	67/97	67/97	102/90	102/90		m
		Fluid temperature	-30 to +350	up to +180	-30 to +350	up to +180		°C
		Max. operating pressure	16	16	16	16		bar
* Values for 50 Hz/60 Hz								
Automation options: PumpDrive, PumpExpert, Hyamaster, hyatronic								