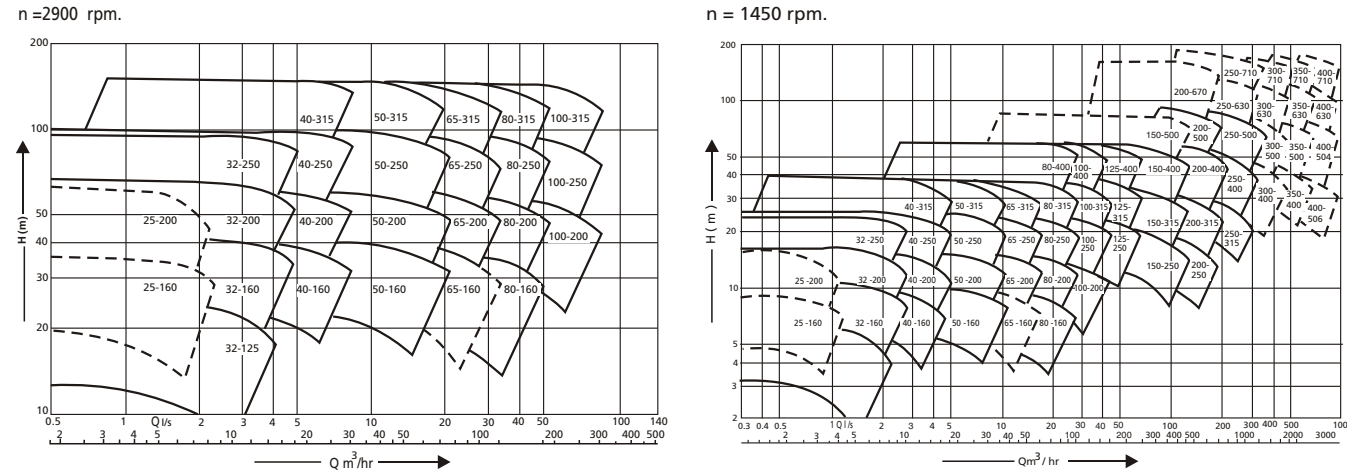


Family Curves



Materials

CPK pumps can be offered in Cast Iron (G), Cast Steel (E) & Stainless Steel (C) metallurgy

Part Designation	Standard Material Execution *		
	G	E	C
Volute Casing	CI Gr. FG260	WCB	CF 8 M
Casing Cover	CI Gr. FG260	WCB	CF 8 M
Impeller	CI Gr. FG260	WCB	CF 8 M
Impeller Nut	CI Gr. FG260	CF 8 M	CF 8 M
Shaft	C 45	TYPE 431	AISI 329
Shaft Protection Sleeve	Type 316	TYPE 316	TYPE 316
Bearing Bracker	CI Gr. FG260	CI Gr. FG260	CI Gr. FG260
Bearing Bracket Lantern	CI Gr. FG260	CI Gr. FG260	CI Gr. FG260

* Other executions available on request, depending upon application.

Manufactured in technical collaboration with KSB Aktiengesellschaft., Germany by :

KSB PUMPS LIMITED

Works

- Pimpri - Irrigation and Process Division, Mumbai-Pune Road, Pune - 411 018
- Chinchwad - Power Projects Division, D - II Block, MIDC, Pune - 411 019
- Coimbatore - Valves Division, 151, NSN Palayam Post, Mettupalayam Road - 641 031
- Vambori - Foundry Division, Ahmednagar- 413 704
- Sinnar - Water Pumps Division, Plot No E-3, MIDC Sinnar, Malegaon, Dist. Nashik- 422 103

Regd. Office:

- Mumbai - 126, Maker Chambers III, Nariman Point - 400 021

Zonal Offices:

- Chennai - Guindy House, 2nd Floor, 95, Anna Salai - 600 032
- Kolkata - 30, Circus Avenue, 2nd Floor - 700 017
- Mumbai - 126, Maker Chambers III, Nariman Point - 400 021
- NOIDA - "KSB House", A-96, Sector IV, NOIDA 201 301, Dist. Gautam Budh Nagar, U. P.

Branch Offices:

- Ahmedabad - (079) 7540428, 7543427
- Aurangabad - (0240) 2351440
- Bangalore - (080) 3491806, 3493925
- Baroda - (0265) 233 0532, 233 3226
- Bareilly - (0581) 530748
- Bhubaneswar - (0674) 563497
- Chandigarh - (0172) 549021
- Hubli - (0836) 251057
- Indore - (0731) 529478, 529704
- Jaipur - (0141) 224554, 224904
- Jamshedpur - (0657) 431408, 433471
- Lucknow - (0522) 635203, 635597
- Nagpur - (0712) 223 6889
- Patna - (0612) 222628
- Pune - (020) 5536345, 5536347
- Raipur - (0771) 520758
- Secunderabad - (040) 7001724, 7003696

Service Stations :

- Odhav - Shed 22, G.V.M. Estate, Ahmedabad - 382 410
- NOIDA - "KSB House" A- 96, Sector IV, 201 301
- Howrah - 142, Foreshore Road, Ramkrishnapur
- Chennai - No. 4 (old no. 18) Chakrapani Road, Guindy, 32

Telephone No.

- (020) 7101000
- (020) 747882-3
- (0422) 700547-9
- (02426) 72528, 34, 72074
- (02551) 30252, 53, 30255, 30256

Fax

- (020) 7426000
- (020)7470890
- (0422) 700650
- (02426) 72043
- (02551) 30254

Technical matter. Subject to change without notice.



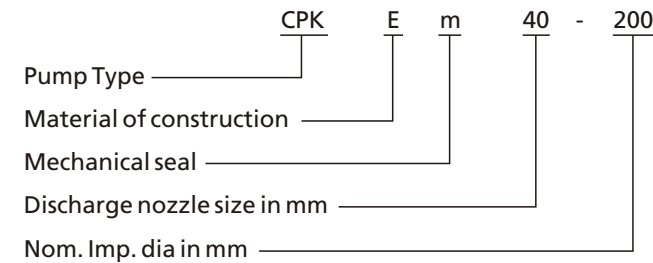
Applications

For handling aggressive organic & inorganic fluids in the chemical & petrochemical industries. These pumps are also used at Refinery off-sites, Paper & Pulp Industry, Food Industry, Sugar Industry, Seawater desalination plants, absorption plants in environmental engineering, Power stations etc.

Design

Horizontal, radially split, volute casing pumps in back pull-out design, fitted with a radial impeller, single entry, single stage & designed in accordance with DIN 24256/ISO 2858/ISO 5199.

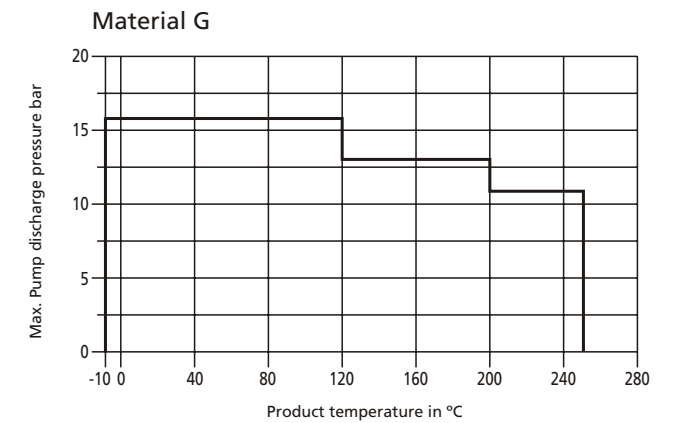
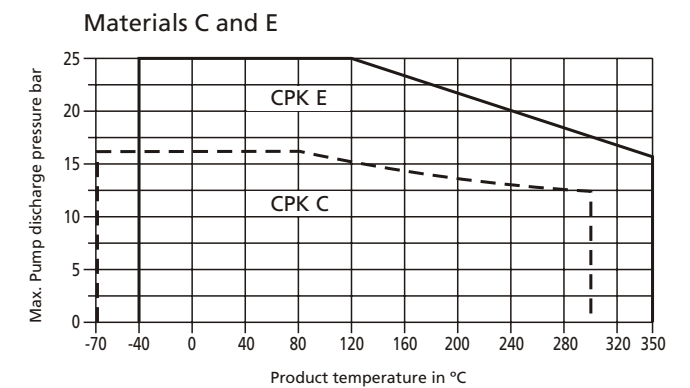
Designation



Operating Data

Pump Sizes	DN	32 to 250 mm
Capacity	Q	up to 1200 m ³ /hr
Head	H	up to 150 m
Pressure	P	up to 25 bar
Temperature	t	-70°C to +350°C

Pressure and Temperature limits



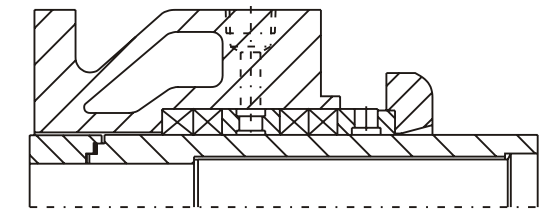
Flanges
according to ANSI B 16.5
class 150 & 300

Jack-bolts
for easy dismantling

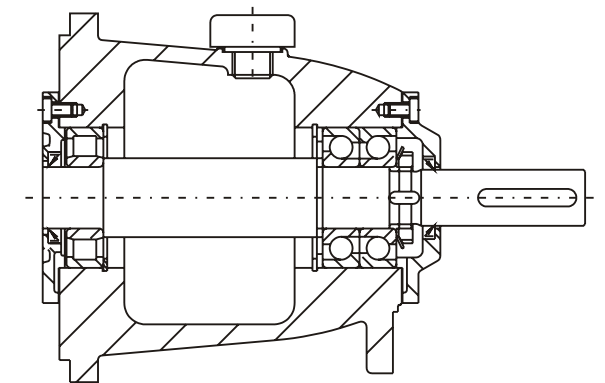
Casing cover
cooling or heating possible.

Rotor and bearing
rated for a shaft deflection
below 0,05 mm and a bearing
life of more than 17,500
operating hours.

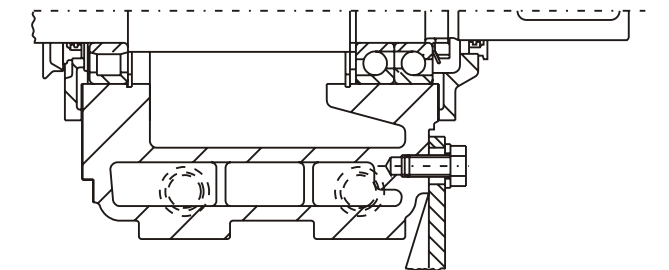
Optional features



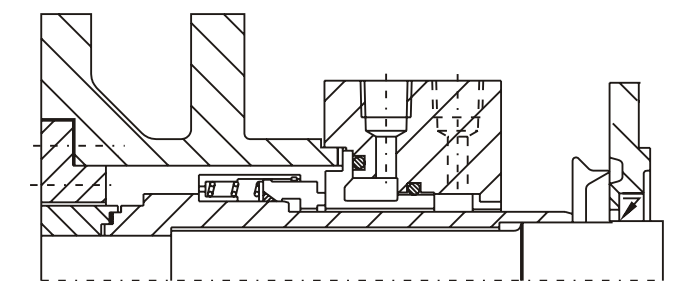
Shaft sealing chamber,
intensively cooled ('Y' stuffing box)



Heavy Bearing Bracket
for intensive loading



Heavy Bearing Bracket
with cooling arrangement.



Mechanical Seal : Single balanced
(Double and Tandem seals also available)

Pressure retaining parts
safe design by computerised
strength analysis and quality
casting with corrosion allowance

**Casing and impeller
wear rings**
CPK-G - only casing wear ring
CPK-E/C - No wear ring

Impeller Nut
with helicoil for
protection of threads

Shaft
Dry shaft. No contact with
medium handled (due to
confined sealing gaskets)
hence no need for
special material

Standard units
fast delivery and
small stock of spare parts
ensured

Back pull-out design
when dismantling the pump,
the casing can remain in the
pipeline

Volute
with low radial forces (double
volute available, depending on size)

Gland packing
subsequent fitment of standard
mechanical seal is possible

Constant level oiler
guarantees constant lubrication
of the bearings and control
of oil level.

