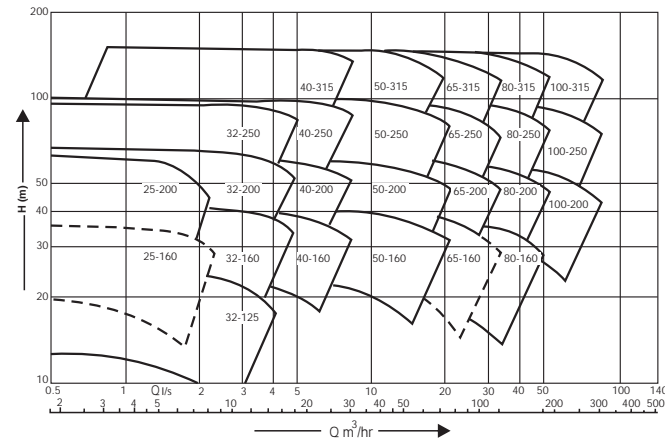
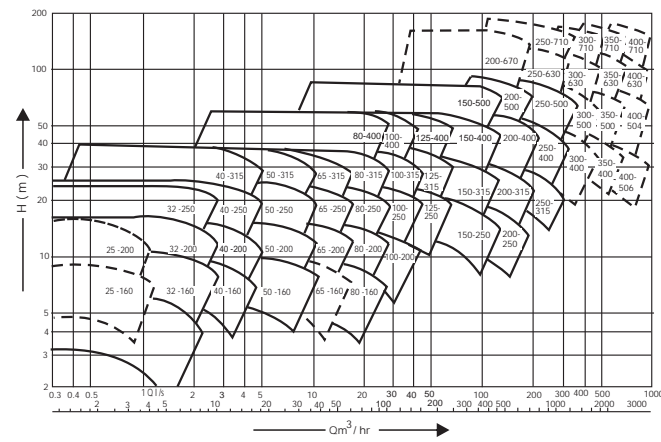


Family Curves

n = 2900 rpm.



n = 1450 rpm.



Materials

CPK pumps can be offered in Cast Iron (G), Cast Steel (E) & Stainless Steel (C) metallurgy

Part Designation	Standard Material Execution *		
	G	E	C
Volute Casing	CI Gr. FG260	WCB	CF 8 M
Casing Cover	CI Gr. FG260	WCB	CF 8 M
Impeller	CI Gr. FG260	WCB	CF 8 M
Impeller Nut	CI Gr. FG260	CF 8 M	CF 8 M
Shaft	45C8	45C8 / Type 410	AISI 329
Shaft Protection Sleeve	Type 316	45C8	TYPE 316
Bearing Bracker	CI Gr. FG260	CI Gr. FG260	CI Gr. FG260
Bearing Bracket Lantern	CI Gr. FG260	CI Gr. FG260	CI Gr. FG260

* Other executions available on request, depending upon application.

Manufactured in technical collaboration with KSB Aktiengesellschaft., Germany by :

KSB PUMPS LIMITED

Works :
 Pimpri - Irrigation and Process Division, Mumbai-Pune Road, Pune - 411 018. Telephone No. (020) 2710 1000 Fax (020) 2742 6000
 Chinchwad - Power Projects Division, D - II Block, MIDC, Pune - 411 019. (020) 2740 9100 (020) 2747 0890
 Coimbatore - Valves Division, 151, NSN Palayam Post, Mettupalayam Road - 641 031. (0422) 246 8222 (0422) 246 8232
 Sinnar - Water Pumps Division, Plot No E-3 & E-4, MIDC Sinnar, Malegaon, Dist. Nashik- 422 113. (02551) 230252 / 53 / 55 / 56 (02551) 230254
 Vambori - Foundry Division, Ahmednagar - 413 704. (02426) 272534, 272528, 272074 (02426) 272043

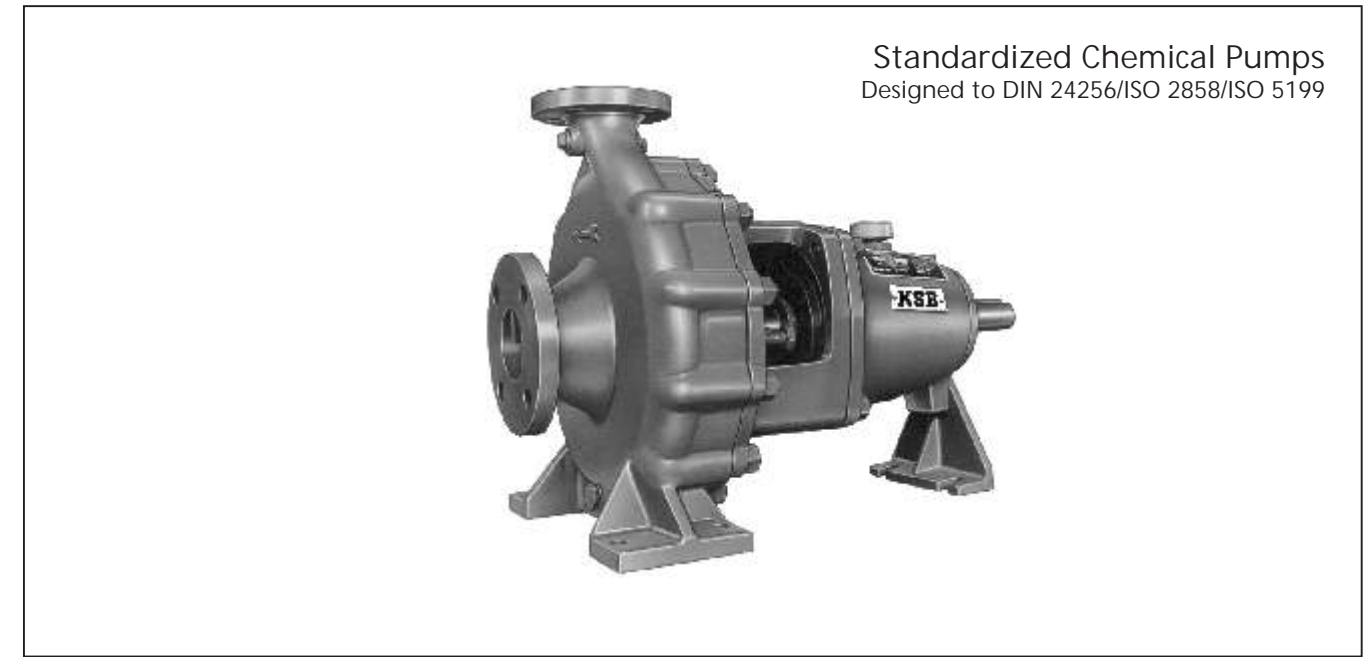
Regd. Office :
 Mumbai - 126, Maker Chambers III, Nariman Point - 400 021. (022) 6658 8787 (022) 6658 8788

Zonal Offices :
 Chennai - Guindy House, 2nd Floor, 95, Anna Salai - 600 032. (044) 2235 2571-2, 2235 5673 (044) 2235 2749
 Kolkata - 30, Circus Avenue, 2nd Floor - 700 017. (033) 2287 0473, 2290 0117 (033) 2287 0588
 Mumbai - 126, Maker Chambers III, Nariman Point - 400 021 (022) 6658 8787 (022) 6658 8788
 NOIDA - "KSB House", A-96, Sector IV, NOIDA 201 301, Dist. Gautam Budh Nagar, U. P. (0120) 254 1091-93, 254 1501-3 (0120) 255 0567

Branch Offices :
 • Ahmedabad - (079) 26579610 / 11 • Aurangabad - (0240) 2351440, 2342447 • Bangalore - (080) 23491806, 23493925 • Baroda - (0265) 2330532, 2333226
 • Bhubaneswar - (0674) 2558497, 2553061 • Chandigarh - (0172) 2549021 • Hubli - (0836) 2232244 • Indore - (0731) 2529478 • Jaipur - (0141) 2224554, 2224904
 • Jamshedpur - (0657) 2317129, 2317130 • Lucknow - (0522) 2635203, 2635597 • Nagpur - (0712) 2236889 • Pune - (020) 25431258 / 59 / 60 • Raipur - (0771) 4062556, 2583921
 • Secunderabad - (040) 27001724, 27003696

Service Stations :
 Odhav - Shed 22, G.V.M. Estate, Ahmedabad - 382 410. (079) 22900372
 NOIDA - "KSB House" A- 96, Sector IV, 201 301. (0120) 2541091-3
 Howrah - 142/1, Foreshore Road, Near Ramkrishnapur Launchghat - 711 101. (033) 26382909
 Chennai - No. 4 (old no. 18) Chakrapani Road, Guindy, 600 032. (044) 22550704

Technical matter. Subject to change without notice.



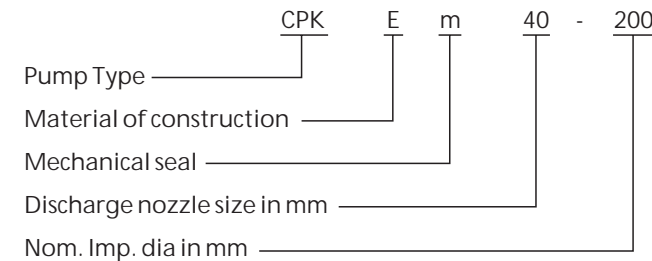
Applications

For handling aggressive organic & inorganic fluids in the chemical & petrochemical industries. These pumps are also used at Refinery off-sites, Paper & Pulp Industry, Food Industry, Sugar Industry, Seawater desalination plants, absorption plants in environmental engineering, Power stations etc.

Design

Horizontal, radially split, volute casing pumps in back pull-out design, fitted with a radial impeller, single entry, single stage & designed in accordance with DIN 24256/ISO 2858/ISO 5199.

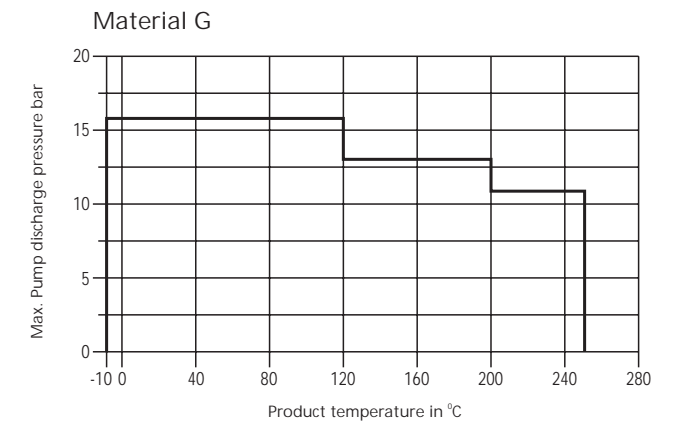
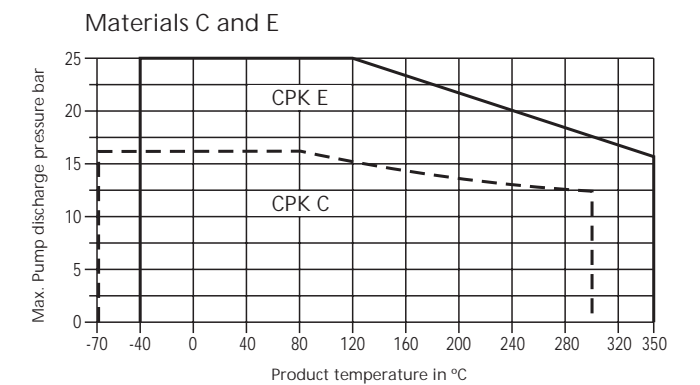
Designation



Operating Data

Pump Sizes	DN	32 to 250 mm
Capacity	Q	up to 1200 m³/hr
Head	H	up to 150 m
Disc. Pressure	P	up to 25 bar
Temperature	t	-70°C to +350°C

Pressure and Temperature limits



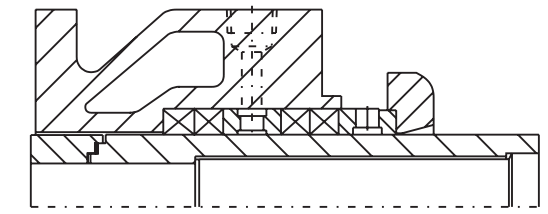
Flanges according to ANSI B 16.5 class 150 & 300

Jack-bolts for easy dismantling

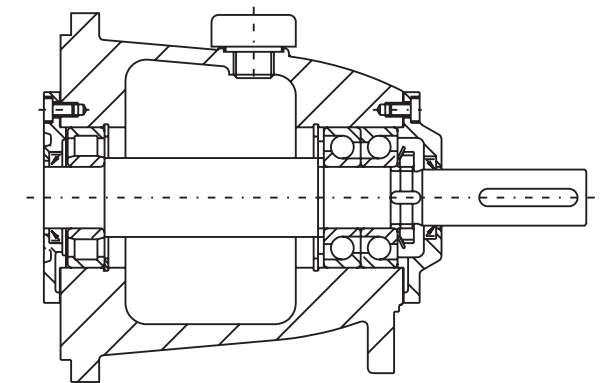
Casing cover cooling or heating possible.

Rotor and bearing rated for a shaft deflection below 0,05 mm and a bearing life of more than 17,500 operating hours.

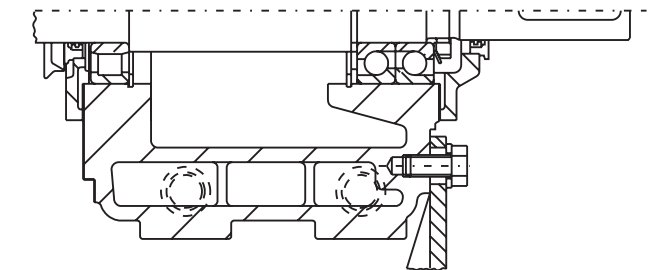
Optional features



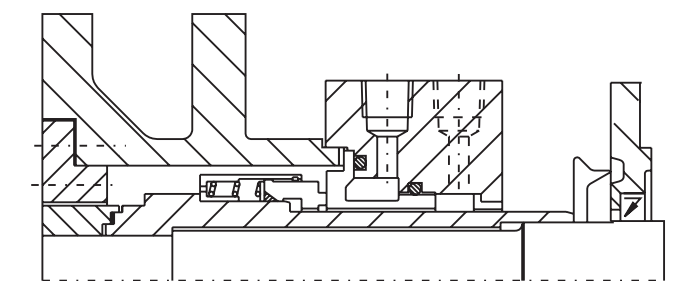
Shaft sealing chamber, intensively cooled ('Y' stuffing box)



Heavy Bearing Bracket for intensive loading



Heavy Bearing Bracket with cooling arrangement.



Mechanical Seal : Single balanced (Double and Tandem seals also available)

Pressure retaining parts safe design by computerised strength analysis and quality casting with corrosion allowance

Casing and impeller wear rings
CPK-G - only casing wear ring
CPK-E/C - No wear ring

Impeller Nut with helicoil for protection of threads

Shaft
Dry shaft. No contact with medium handled (due to confined sealing gaskets) hence no need for special material

Standard units fast delivery and small stock of spare parts ensured

Back pull-out design when dismantling the pump, the casing can remain in the pipeline

Volute with low radial forces (double volute available, depending on size)

Gland packing subsequent fitment of standard mechanical seal is possible

Constant level oiler guarantees constant lubrication of the bearings and control of oil level.

